

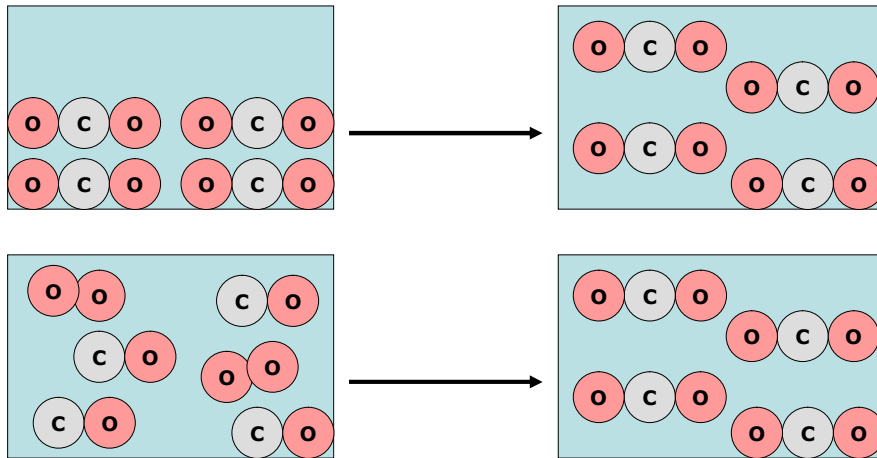
Egitura atomikoa eta taula periodikoa

AZTERKETA

Izena:

Kurtsoa:

1. Ondoko sistema materialak sailkatu (substantzia-mota, egoera fisikoak eta molekulen formulak emanik), aldaketa-motak eman (fisikoak ala kimikoak) eta aldaketak ekuazio gisa adierazi.



2. Ondoko taulan, osatu falta diren datuak

Espezie kimikoa	Zenbaki atomikoa	Zenbaki masikoa	Protoi kopurua	Neutroi kopurua	Elektroi kopurua
${}_{5}^{11}\text{B}$					
${}_{11}^{23}\text{Na}^{+}$					
${}_{8}^{18}\text{O}$					
${}_{8}^{16}\text{O}^{2-}$					
${}_{13}^{27}\text{Al}^{3+}$					

3. Ondoko taulan, adierazi zenbat elektroi dauden eta beraien konfigurazio elektronikoa (nola kokatzen diren)

Espezie kimikoa	Elektroi-kopurua	Notazio estandarra	Kutxa-diagrama																
${}^{14}_7\text{N}$			<table style="display: inline-table; border: none;"> <tr> <td style="border: 1px solid black; width: 20px; height: 20px;"></td> <td style="border: 1px solid black; width: 20px; height: 20px;"></td> <td style="border: 1px solid black; width: 20px; height: 20px;"></td> <td style="border: 1px solid black; width: 20px; height: 20px;"></td> <td style="border: 1px solid black; width: 20px; height: 20px;"></td> <td style="border: 1px solid black; width: 20px; height: 20px;"></td> <td style="border: 1px solid black; width: 20px; height: 20px;"></td> <td style="border: 1px solid black; width: 20px; height: 20px;"></td> </tr> <tr> <td style="text-align: center;">1s</td> <td style="text-align: center;">2s</td> <td colspan="2" style="text-align: center;">2p</td> <td style="text-align: center;">3s</td> <td colspan="3" style="text-align: center;">3p</td> </tr> </table>									1s	2s	2p		3s	3p		
1s	2s	2p		3s	3p														
${}^{23}_{11}\text{Na}$			<table style="display: inline-table; border: none;"> <tr> <td style="border: 1px solid black; width: 20px; height: 20px;"></td> <td style="border: 1px solid black; width: 20px; height: 20px;"></td> <td style="border: 1px solid black; width: 20px; height: 20px;"></td> <td style="border: 1px solid black; width: 20px; height: 20px;"></td> <td style="border: 1px solid black; width: 20px; height: 20px;"></td> <td style="border: 1px solid black; width: 20px; height: 20px;"></td> <td style="border: 1px solid black; width: 20px; height: 20px;"></td> <td style="border: 1px solid black; width: 20px; height: 20px;"></td> </tr> <tr> <td style="text-align: center;">1s</td> <td style="text-align: center;">2s</td> <td colspan="2" style="text-align: center;">2p</td> <td style="text-align: center;">3s</td> <td colspan="3" style="text-align: center;">3p</td> </tr> </table>									1s	2s	2p		3s	3p		
1s	2s	2p		3s	3p														
${}^{19}_9\text{F}^-$			<table style="display: inline-table; border: none;"> <tr> <td style="border: 1px solid black; width: 20px; height: 20px;"></td> <td style="border: 1px solid black; width: 20px; height: 20px;"></td> <td style="border: 1px solid black; width: 20px; height: 20px;"></td> <td style="border: 1px solid black; width: 20px; height: 20px;"></td> <td style="border: 1px solid black; width: 20px; height: 20px;"></td> <td style="border: 1px solid black; width: 20px; height: 20px;"></td> <td style="border: 1px solid black; width: 20px; height: 20px;"></td> <td style="border: 1px solid black; width: 20px; height: 20px;"></td> </tr> <tr> <td style="text-align: center;">1s</td> <td style="text-align: center;">2s</td> <td colspan="2" style="text-align: center;">2p</td> <td style="text-align: center;">3s</td> <td colspan="3" style="text-align: center;">3p</td> </tr> </table>									1s	2s	2p		3s	3p		
1s	2s	2p		3s	3p														
${}^{24}_{12}\text{Mg}^{2+}$			<table style="display: inline-table; border: none;"> <tr> <td style="border: 1px solid black; width: 20px; height: 20px;"></td> <td style="border: 1px solid black; width: 20px; height: 20px;"></td> <td style="border: 1px solid black; width: 20px; height: 20px;"></td> <td style="border: 1px solid black; width: 20px; height: 20px;"></td> <td style="border: 1px solid black; width: 20px; height: 20px;"></td> <td style="border: 1px solid black; width: 20px; height: 20px;"></td> <td style="border: 1px solid black; width: 20px; height: 20px;"></td> <td style="border: 1px solid black; width: 20px; height: 20px;"></td> </tr> <tr> <td style="text-align: center;">1s</td> <td style="text-align: center;">2s</td> <td colspan="2" style="text-align: center;">2p</td> <td style="text-align: center;">3s</td> <td colspan="3" style="text-align: center;">3p</td> </tr> </table>									1s	2s	2p		3s	3p		
1s	2s	2p		3s	3p														
${}^{34}_{16}\text{S}^{2-}$			<table style="display: inline-table; border: none;"> <tr> <td style="border: 1px solid black; width: 20px; height: 20px;"></td> <td style="border: 1px solid black; width: 20px; height: 20px;"></td> <td style="border: 1px solid black; width: 20px; height: 20px;"></td> <td style="border: 1px solid black; width: 20px; height: 20px;"></td> <td style="border: 1px solid black; width: 20px; height: 20px;"></td> <td style="border: 1px solid black; width: 20px; height: 20px;"></td> <td style="border: 1px solid black; width: 20px; height: 20px;"></td> <td style="border: 1px solid black; width: 20px; height: 20px;"></td> </tr> <tr> <td style="text-align: center;">1s</td> <td style="text-align: center;">2s</td> <td colspan="2" style="text-align: center;">2p</td> <td style="text-align: center;">3s</td> <td colspan="3" style="text-align: center;">3p</td> </tr> </table>									1s	2s	2p		3s	3p		
1s	2s	2p		3s	3p														

4. Ondoko taula periodikoan:

- a. Adierazi falta diren elementuen ikurrak
- b. Agertzen diren elementuetatik (Na, Mg, Al, O, S, Cl), dierazi zeintzuk diren metalak eta zeintzuk ez-metalak
- c. Idatzi ezagutzen dituzun elementu alkalino eta halogeno guztiak
- d. Agertzen diren elementuek (Na, Mg, Al, O, S, Cl), ematen dituzten ioien Lewis-en egiturak idatzi.

